

CORNELIA

Massimiliano Raggi



SO



Sospensioni in vetro soffiato e poi "metallizzato sottovuoto", tecnica che dona un tocco di magia ed un gioco di suggestive trasparenze. Adesso disponibili nei nuovi colori. Sono realizzabili su richiesta composizioni multiple speciali.

Suspensions in blown and then vacuum metallized glass, a technique that gives a touch of magic and a game of suggestive transparencies. Now available in new colours. Special multiple compositions are available upon request.

SPECIFICHE PRODOTTO / PRODUCT SPECIFICS

p2

CORNELIA SO
CORNELIA SO DIFFUSER + CABLE

p3
p4

ATTACCO PER CONTROSOFFITTO / CONNECTION FOR FALSE CEILING

p5



STRUTTURA / FRAME



Bronzo spazzolato chiaro opaco
Matt light satin bronze



**STRUTTURA CORNELIA CLUSTER
CORNELIA CLUSTER FRAME**

Laccato effetto bronzo
Painted bronze effect

DIFFUSORE / DIFFUSER



Vetro metallizzato ambra scuro
Dark amber metalized glass



Vetro metallizzato rosa antico
Antique pink metalized glass



Vetro metallizzato blu petrolio
Petrol blue metalized glass

CAVO / CABLE

Tessuto bronzo
Bronze fabric

SO
H: 200 cm / H: 78.7"

FRONTE LUMINOSA / LIGHT SOURCE



E27 LED or Classic DECO LED
Utilizzabili lampadine LED fino alla massima potenza disponibile sul mercato

You can use LED light bulbs of the highest available wattage

1 X E27 LED or Classic DECO LED
Lampadina LED
LED light bulb



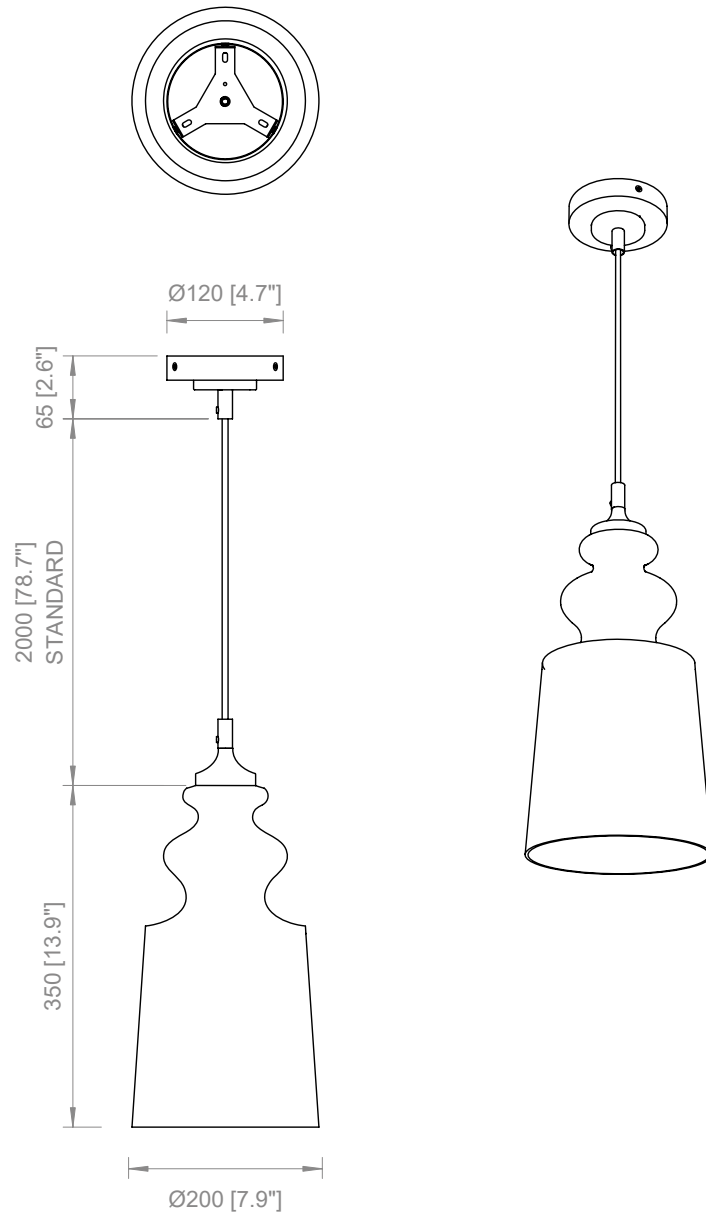
USA / LIGHT SOURCE



E26 LED or Classic DECO LED
You can use LED light bulbs of the highest available wattage

1 X E26 LED or Classic DECO LED
LED light bulb





PRODOTTO / PRODUCT

PESO / WEIGHT
1,5 kg / 3.3 lbs

BOX 1

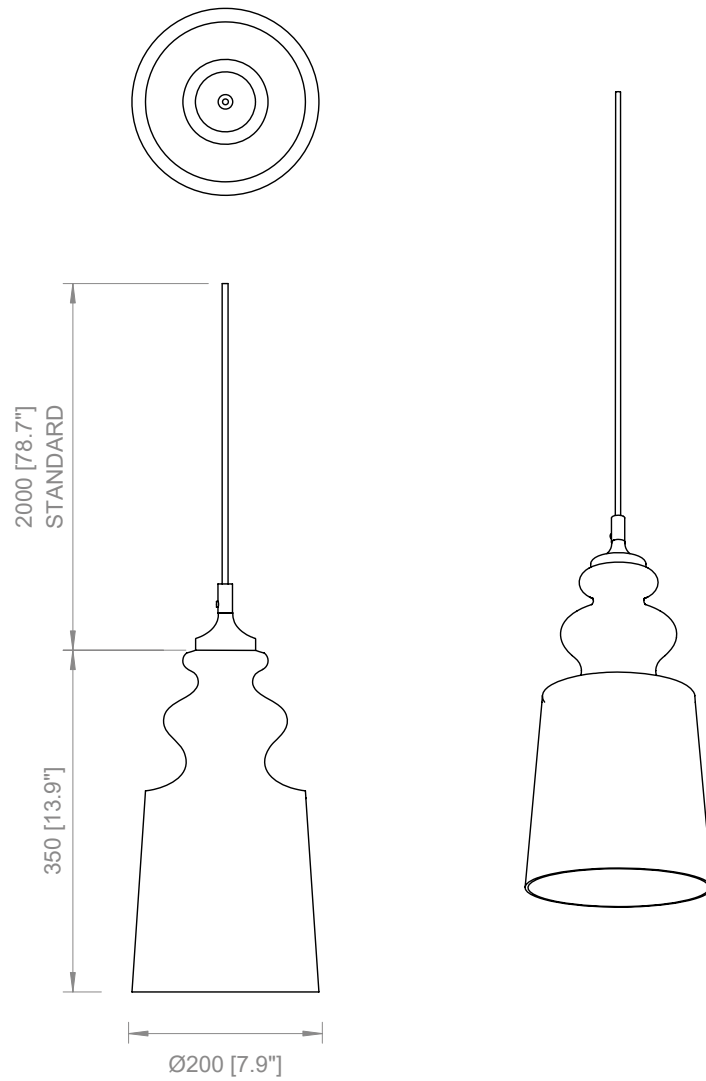
L: 25 cm / 9.8"
W: 20 cm / 7.8"
H: 22 cm / 8.6"

PESO / WEIGHT
1 kg / 2.2 lbs

BOX 2

L: 27 cm / 10.6"
W: 27 cm / 10.6"
H: 42 cm / 16.5"

PESO / WEIGHT
2 kg / 4.4 lbs



PRODOTTO / PRODUCT

PESO / WEIGHT
1,5 kg / 3.3 lbs

BOX 1

L: 25 cm / 9.8"
W: 20 cm / 7.8"
H: 22 cm / 8.6"

PESO / WEIGHT
1 kg / 2.2 lbs

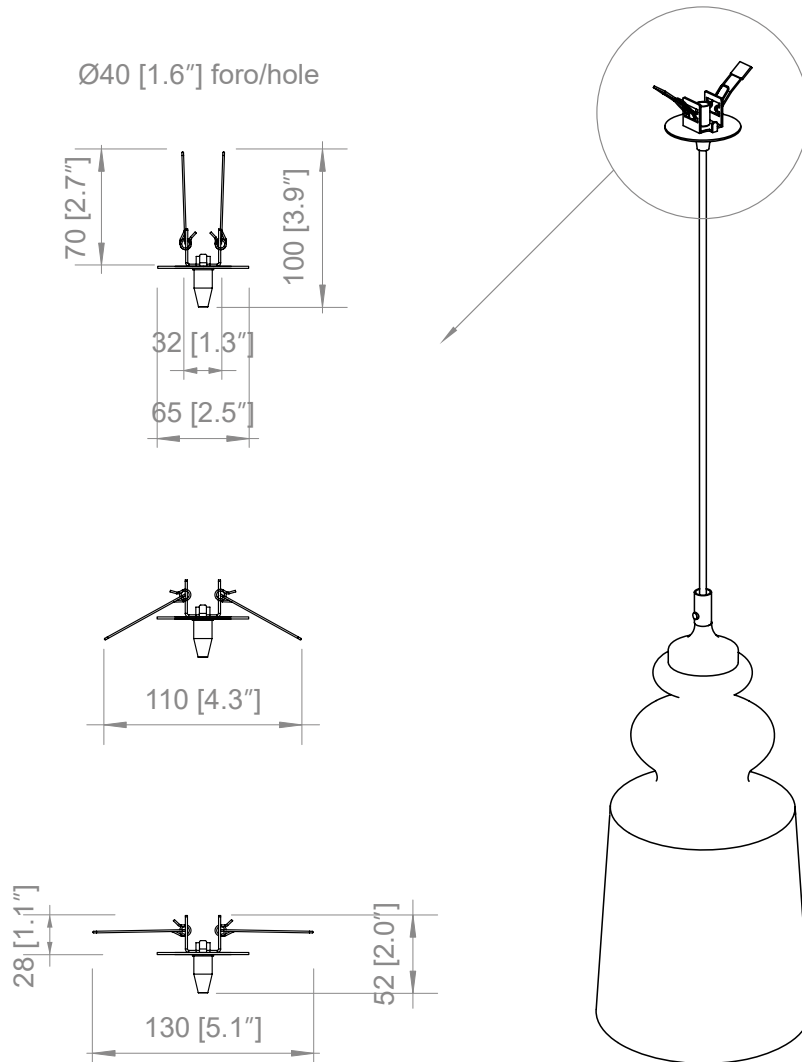
BOX 2

L: 27 cm / 10.6"
W: 27 cm / 10.6"
H: 42 cm / 16.5"

PESO / WEIGHT
2 kg / 4.4 lbs



ATTACCO PER CONTROSOFFITTO / CONNECTION FOR FALSE CEILING





Copyright and/or design rights subsist in this drawing. No part of this drawing may be reproduced in any material form (including photocopying or storing in any medium electronic means, whether or not intentionally and whether or not as part or a larger publication) without the express permission of the copyright owner, Contardi Lighting S.r.l.. Further and without prejudice to the above, this drawing and all information relating thereto is confidential, and shall not be communicated to a third party without the consent of Contardi lighting srl. Contardi lighting srl asserts all rights to be identified as the author of the work and otherwise.

WARNING: The doing of any unauthorised act in relation to a copyright work may result in both a civil claim for damages and criminal prosecution.

CONTARDI LIGHTING Srl
ITALY HEADQUARTERS

www.contardi-italia.com / sales@contardi-italia.it

CONTARDI USA Inc
USA BRANCH

www.contardi-usa.com / sales@contardi-usa.com

