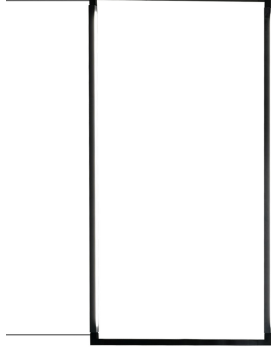


# SPIGOLO PENDANT VERTICAL

*Studiocharlie*

Pendant lamp based on an extruded and tubular aluminum structure, connected with molded polymer joints, with white or black painted finish. Thanks to the joints, enabling the profiles to house LED sources, one can rotate 360° in order to produce a directional direct or indirect lighting, screened by an opaline diffuser in polycarbonate. Allows the enlightenment of the ambience in a versatile and a comfortable way. LED sources are dimmable.



**NEMO**

[www.nemolighting.com](http://www.nemolighting.com)

SPIGOLO PENDANT VERTICAL - 1 / 3

## LED

### LAMPING

Source	LINEAR LED
Total power	24 + 24W
Emission	DOUBLE, DIFFUSED
Switching	dimmable 1-10V, mono switch
Tension	120V
Color temperature	3000K
Luminous flux	1422 + 1420 lm (luminous output)
Type CRI	85
Energy class	A+
IP class	20
Dimensions	22.8" x 8" x 44.9"
Materials	aluminum + pc + abs
Notes	cable length 9.8' , orientable diffusers 360°
Net lamp weight	6,2 lbs

### Codes

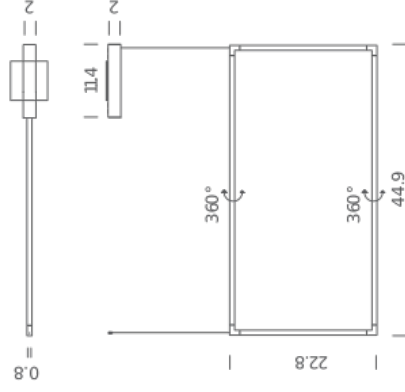
SPI LWW 51  
SPI LNN 51

### PACKAGE

Package 01

Package 02

### Certificazioni



### Structure/Diffuser

white/white  
black/white

Dimension: 7.1" x 8.7" x 26" inches / Net weight: 6,6 lbs /

Gross weight: 6.7" x 7.1" x 46.5" lbs

Gross weight: 4 lbs

**NEMO**

[www.nemolighting.com](http://www.nemolighting.com)

SPIGOLO PENDANT VERTICAL - 2 / 3

## LED

### LAMPING

Source  
24 + 24W  
Emission  
DOUBLE, DIFFUSED  
Switching  
dimmable 1-10V, mono switch  
Tension  
120V  
Color temperature  
2700K  
Luminous flux  
1423 + 1420 lm (luminous output)  
Typ CRI  
85  
Energy class  
A+  
IP class  
20  
Dimensions  
22.8" x 8" x 44.9"  
Materials  
aluminum + pc + abs  
Notes  
cable length 9.8" , orientable diffusers 360°  
Net lamp weight  
6,2 lbs

### Codes

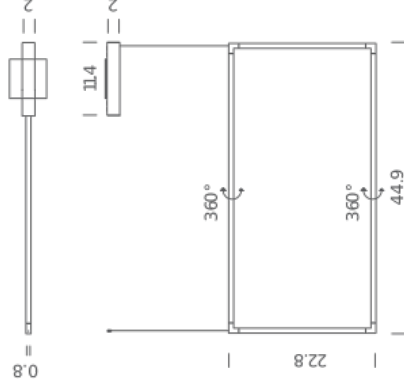
SPI LWW 53  
SPI LNN 53

### PACKAGE

Package 01

Package 02

### Certificazioni



### Structure/Diffuser

white/white  
black/white

Dimension: 7.1" x 8.7" x 26" inches / Net weight: 6,6 lbs /

Gross weight: 6.7" x 7.1" x 46.5" lbs

Gross weight: 4 lbs

**NEMO**

[www.nemolighting.com](http://www.nemolighting.com)

SPIGOLO PENDANT VERTICAL - 3 / 3